

CERTIFICATE of Conformity



Registration No.: AK 50507212 0001

Report No.: 50203867 004

Holder: Ginlong technologies Co., Ltd.
No.57 Jintong Road, Binhai,
(seafront), Industrial Park,
Xiangshan Ningbo
315712 Zhejiang
P.R. China

Product: PV-Inverter
(Grid-Connected PV Inverter)

Identification: Type Designation: Solis-1P2.5K-4G Solis-1P3K-4G
Solis-1P3.6K-4G Solis-1P4K-4G
Solis-1P4.6K-4G Solis-1P5K-4G
Solis-1P6K-4G S5-GR1P2.5K
S5-GR1P3K S5-GR1P3.6K
S5-GR1P4K S5-GR1P4.6K
S5-GR1P5K S5-GR1P6K

Tested acc. to: RD 1699:2011
UNE 206006 IN:2011
UNE 206007-1 IN:2013
UNE 217001:2020

The certificate of conformity refers to the above mentioned product. This is to certify that the specimen is in conformity with the assessment requirement mentioned above. This certificate does not imply assessment of the production of the product and does not permit the use of a TÜV Rheinland mark of conformity.



Date 10.06.2021

Weichun Li

TÜV Rheinland LGA Products GmbH - Tillystraße 2 - 90431 Nürnberg

C E R T I F I C A T E
of Conformity



Registration No.: AK 50507212 0002

Report No.: 50203867 004

Holder: Ginlong technologies Co., Ltd.
No.57 Jintong Road, Binhai,
(seafront), Industrial Park,
Xiangshan Ningbo
315712 Zhejiang
P.R. China

Product: PV-Inverter
(Grid-Connected PV Inverter)

Identification: as page 0001 continuation
Serial Number : Engineering samples
Firmware Version: V2E
Remark : Compliance with the requirement of
RD 244/2019, Annex I. Refer to test
report 50203867 004 for details.

Tested acc. to: RD 1699:2011
UNE 206006 IN:2011
UNE 206007-1 IN:2013
UNE 217001:2020

The certificate of conformity refers to the above mentioned product. This is to certify that the specimen is in conformity with the assessment requirement mentioned above. This certificate does not imply assessment of the production of the product and does not permit the use of a TÜV Rheinland mark of conformity.

Date 10.06.2021



TÜV Rheinland LGA Products GmbH - Tillystraße 2 - 90431 Nürnberg

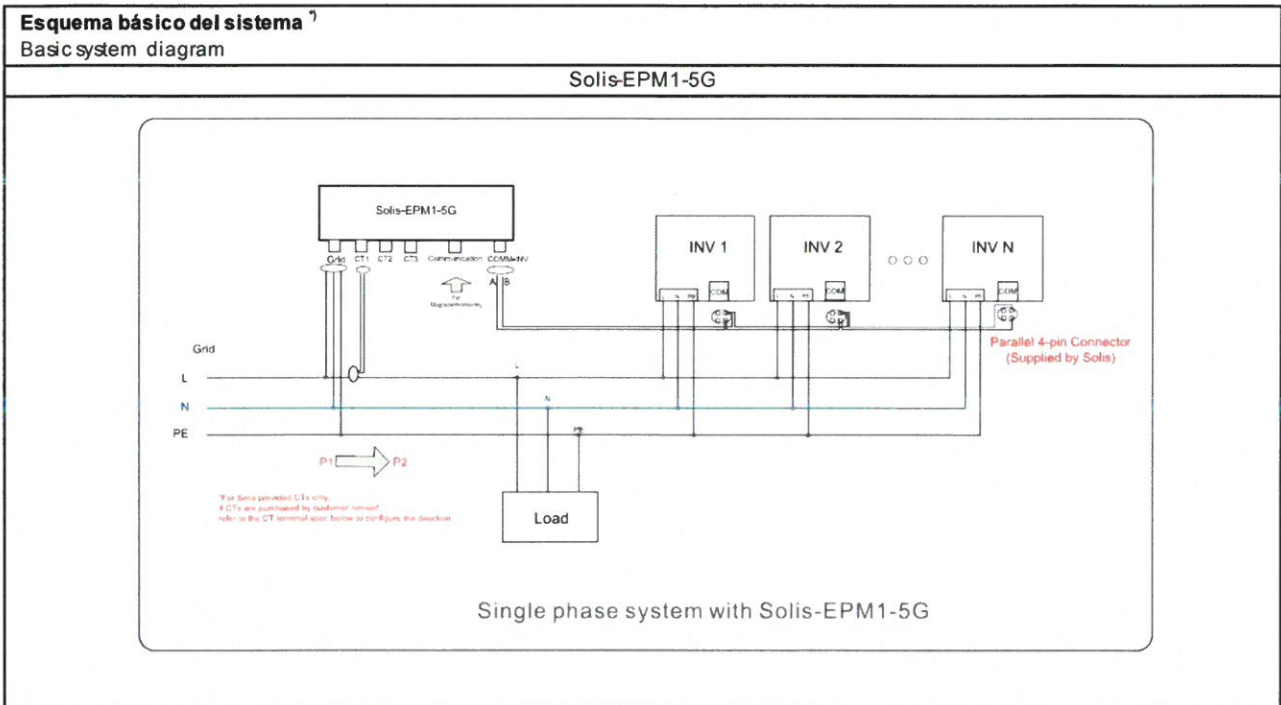
Modelo Model	Solis-1P2.5K-4G	Solis-1P3K-4G	Solis-1P3.6K-4G	Solis-1P4K-4G
Potencia nominal CA Nominal AC Power	2500	3000	3600	4000
Tensión nominal CA Nominal AC voltage	220/230	220/230	220/230	220/230
Corriente máxima CA Maximal AC current	13.3	15.7	16.0	21.0
Frecuencia nominal Nominal frequency	50/60	50/60	50/60	50/60
Rango de tensión MPPT MPPT voltage range	50-450	90-520	90-520	90-520
Tensión CC máxima Max. DC voltage	550	600	600	600
Corriente DC máxima Max. DC current	11/11	11/11	11/11	11/11
Elemento de control Control device	Controller in Inverter	Controller in Inverter	Controller in Inverter	Controller in Inverter
Tipo de dispositivo de control Type of control device	Integrated	Integrated	Integrated	Integrated

Modelo Model	Solis-1P4.6K-4G	Solis-1P5K-4G	Solis-1P6K-4G	S5-GR1P2.5K
Potencia nominal CA Nominal AC Power	4600	5000	6000	2500
Tensión nominal CA Nominal AC voltage	220/230	220/230	220/230	220/230
Corriente máxima CA Maximal AC current	23.8	25.0	27.3	13.3
Frecuencia nominal Nominal frequency	50/60	50/60	50/60	50/60
Rango de tensión MPPT MPPT voltage range	90-520	90-520	90-520	50-450
Tensión CC máxima Max. DC voltage	600	600	600	550
Corriente DC máxima Max. DC current	11/11	11/11	11/11	14/14
Elemento de control Control device	Controller in Inverter	Controller in Inverter	Controller in Inverter	Controller in Inverter
Tipo de dispositivo de control Type of control device	Integrated	Integrated	Integrated	Integrated

Modelo Model	S5-GR1P3K	S5-GR1P3.6K	S5-GR1P4K	S5-GR1P4.6K
Potencia nominal CA Nominal AC Power	3000	3600	4000	4600
Tensión nominal CA Nominal AC voltage	220/230	220/230	220/230	220/230
Corriente máxima CA Maximal AC current	15.7	16.0	21.0	15.7
Frecuencia nominal Nominal frequency	50/60	50/60	50/60	50/60
Rango de tensión MPPT MPPT voltage range	90-520	90-520	90-520	90-520
Tensión CC máxima Max. DC voltage	600	600	600	600
Corriente DC máxima Max. DC current	14/14	14/14	14/14	14/14
Elemento de control Control device	Controller in Inverter	Controller in Inverter	Controller in Inverter	Controller in Inverter
Tipo de dispositivo de control Type of control device	Integrated	Integrated	Integrated	Integrated

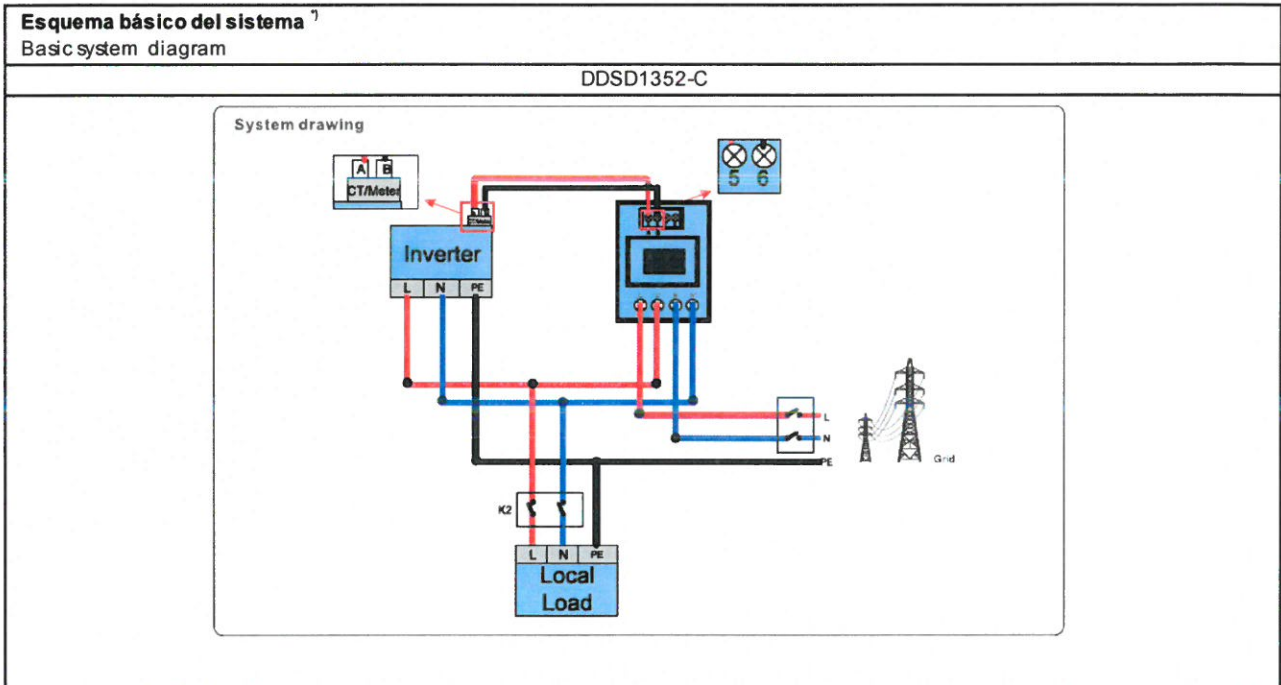
Modelo Model	S5-GR1P5K	S5-GR1P6K
Potencia nominal CA Nominal AC Power	5000	6000
Tensión nominal CA Nominal AC voltage	220/230	220/230
Corriente máxima CA Maximal AC current	25.0	27.3
Frecuencia nominal Nominal frequency	50/60	50/60
Rango de tensión MPPT MPPT voltage range	90-520	90-520
Tensión CC máxima Max. DC voltage	600	600
Corriente DC máxima Max. DC current	14/14	14/14
Elemento de control Control device	Controller in Inverter	Controller in Inverter
Tipo de dispositivo de control Type of control device	Integrated	Integrated

Información general del transductor de corriente externo / medidor de potencia ¹ General information of external current transductor/ power meter	
Modelo Model	Solis-EPM1-5G
Aplicación Application	1 Phase
Tensión nominal Nominal voltage	230 Vac
Corriente máxima Max. current	5 A
Clase de precisión Class of accuracy	Class 1
Tipo de comunicación Type of communication	RS485



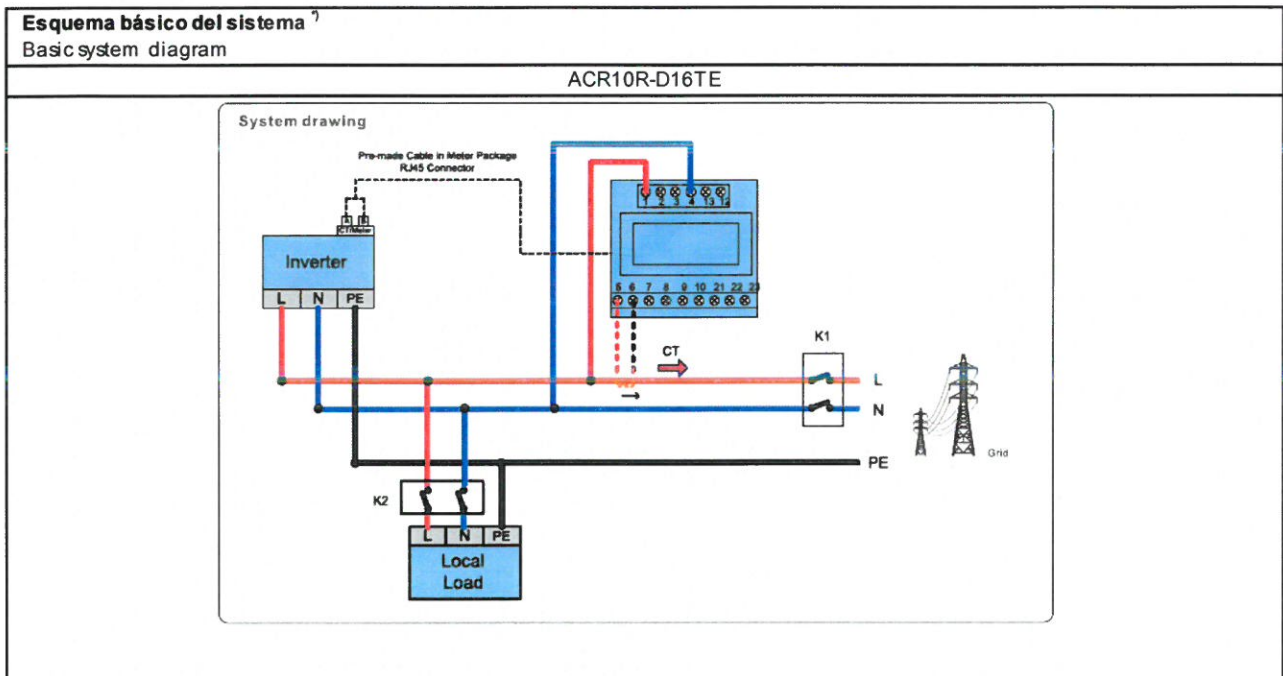
***) Para cumplir los requisitos de RD244 : 2019 / ANEXO I y UNE 217001:2020, se instalará el dispositivo adicional.**
For fulfill the requirements of RD244 : 2019/ ANEXO I and UNE 217001:2020, the additional device shall be installed.

Información general del transductor de corriente externo / medidor de potencia ⁷ General information of external current transductor/ power meter	
Modelo Model	DDSD1352-C
Aplicación Application	1 Phase
Tensión nominal Nominal voltage	230 Vac
Corriente máxima Max. current	63 A
Clase de precisión Class of accuracy	Class 1
Tipo de comunicación Type of communication	Meter



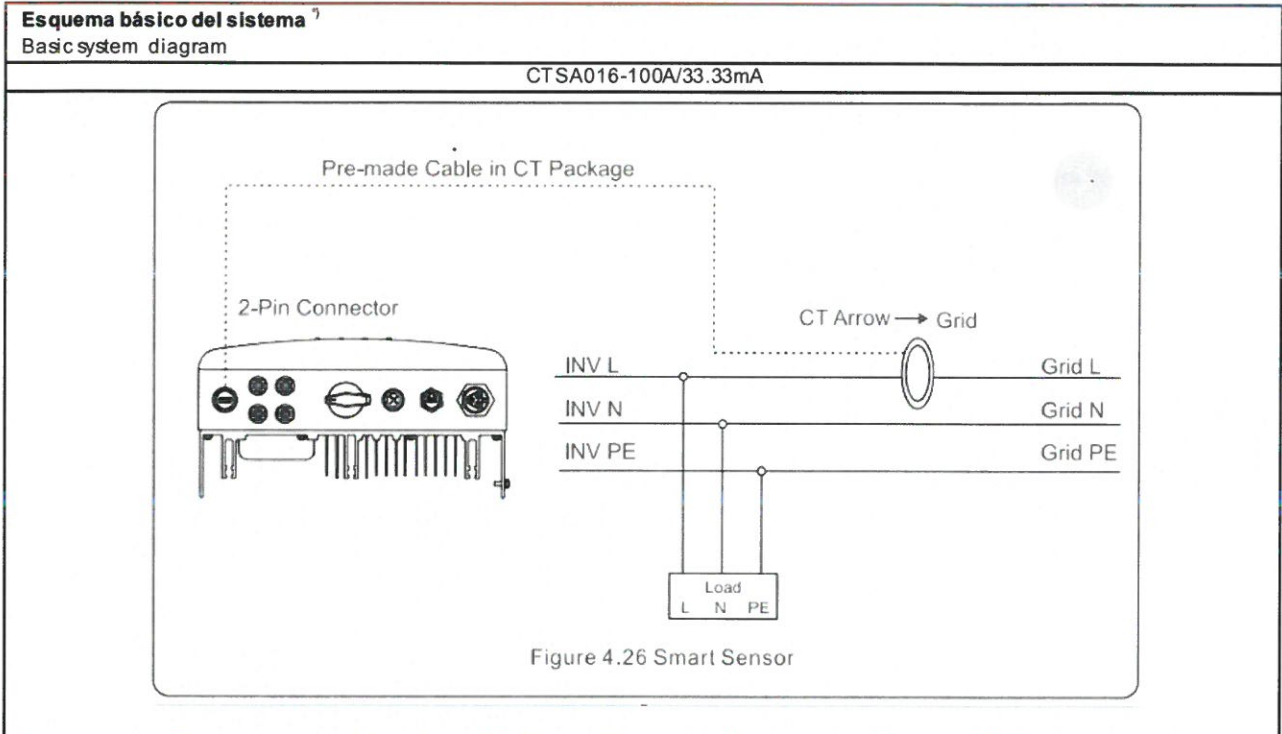
***) Para cumplir los requisitos de RD244:2019 / ANEXO I y UNE 217001:2020, se instalará el dispositivo adicional.**
For fulfill the requirements of RD244 : 2019/ ANEXO I and UNE 217001:2020, the additional device shall be installed.

Información general del transductor de corriente externo / medidor de potencia ¹ General information of external current transductor/ power meter	
Modelo Model	ACR10R-D16TE
Aplicación Application	1 Phase
Tensión nominal Nominal voltage	230 Vac
Corriente máxima Max. current	120 A
Clase de precisión Class of accuracy	Class 1
Tipo de comunicación Type of communication	Meter



***) Para cumplir los requisitos de RD244: 2019 / ANEXO I y UNE 217001:2020, se instalará el dispositivo adicional.**
For fulfill the requirements of RD244 : 2019/ ANEXO I and UNE 217001:2020, the additional device shall be installed.

Información general del transductor de corriente externo / medidor de potencia ¹ General information of external current transductor/ power meter	
Modelo Model	CTSA016-100A/33.33mA
Corriente máxima Max. current	120 A
Clase de precisión Class of accuracy	Class 1
Tipo de comunicación Type of communication	CT



***) Para cumplir los requisitos de RD244:2019 / ANEXO I y UNE 217001:2020, se instalará el dispositivo adicional.**
For fulfill the requirements of RD244 : 2019/ ANEXO I and UNE 217001:2020, the additional device shall be installed.

Ginlong technologies Co., Ltd.
Zhang Kun

Date : 10.06.2021
Our ref. : HCC 01
Your ref.: Z.K

No.57 Jintong Road, Binhai,
(seafont), Industrial Park,
Xiangshan Ningbo
315712 Zhejiang
P.R. China

Ref : AK Certificate of Conformity

Type of Equipment : Grid-Connected PV Inverter
Model Designation : See Certificate
Certificate No. : AK 50507212 0001
Report No. : 50203867 004

Dear Zhang Kun,

We herewith confirm that a sample of the above mentioned technical equipment has been tested and was found to be in accordance with the relevant requirements.

Enclosed please find your Certificate of Conformity.

We appreciate your kind support and would like to offer our assistance and continuous services in the future.

With kind regards,

Certification Body


Weichun Li

Enclosure

证书的详细资料请登陆www.certipedia.com查阅,或拨打我司客服热线800 999 3668 / 400 883 1300咨询