

S2-PLC-CCO

Solis PLC Central Controller

S2-PLC-CCO (CCO: Central Controller) is applied in PV systems to achieve power line communication. Power Line Communication is transmission of data over the AC Wires of the system.

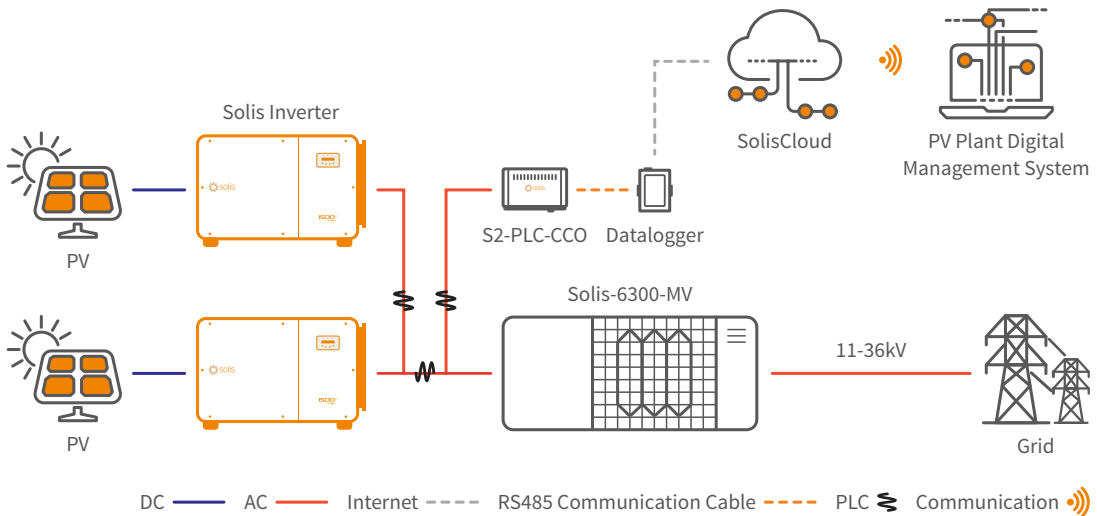
Features:

- No need to lay communication cables, reducing construction costs and maintenance costs
- Strong anti-interference ability
- Support multi-terminal networking
- Stable network connection, real-time data transmission



S2-PLC-CCO

Intelligent Monitoring Solution - S2-PLC-CCO



DATASHEET

S2-PLC-CCO

| Models | S2-PLC-CCO |
|-------------------------------------|---|
| Communication | |
| Supported device type | Solis inverter |
| Number of connected inverters | ≤80 |
| Status indicator | 4 LED Indicator Lights |
| Frequency band | 2MHz-12MHz |
| Communication interface | 4pin/RJ45/RS485 |
| Debugging interface | Bluetooth |
| Baud rate | 9600/19200/57600/115200 |
| Electrical | |
| Input voltage (Power adapter) | 12Vdc |
| Input current (Power adapter) | 2Amax |
| AC port input line voltage | 50-920 V, 50 Hz / 60 Hz |
| Operating power consumption | <5 W |
| Environment | |
| Operating ambient temperature range | -40 ~ +70°C |
| Operating humidity | 5%-95%, relative humidity, non-condensing |
| Storage temperature | -45~+90°C |
| Storage humidity | 5%-95%, relative humidity, non-condensing |
| Max. operation altitude | 4000 m |
| Protection degree | IP 20 |
| Mechanical | |
| Dimensions (L*W*H) | 255*165*45 mm |
| Installation method | Hanging ear mounting, rail mounting |
| Weight | 750 g |