

Solis-6300-MV

Solis MV Station

For 1500 V string inverter Solis 255K

Integrated delivery

- Mainstream 6.3MW subarray, widely used globally
- 20' HC standard container delivery, easy to transport

Convenient installation

- A complete solution, from inverter to main step-up transformer
- When the container is lifted to the foundation, only LV and MV cables need to be connected

Reliable products

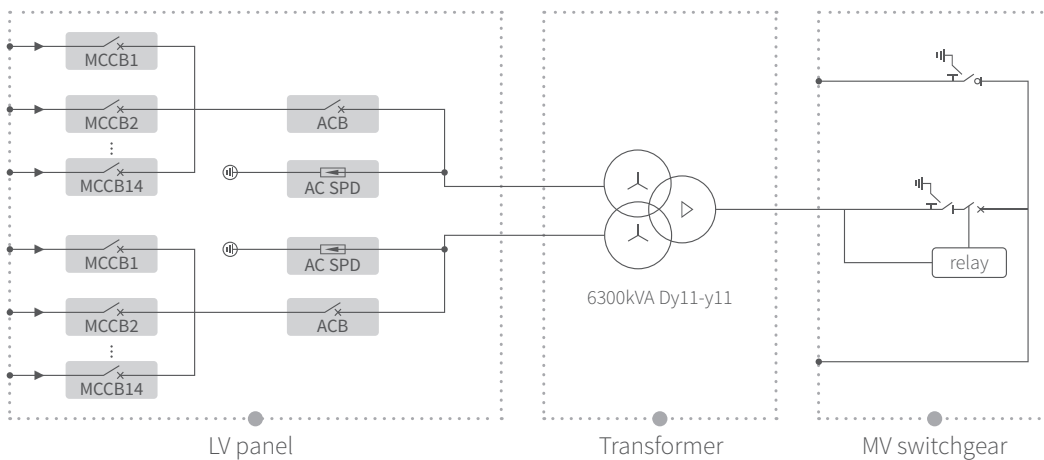
- LV panel, transformer and RMU to be placed independently
- Adopt international first-line brand equipment with reliable quality

Easy O&M

- Full frontal maintenance design
- Modular design of MV equipment, easy to replace



● Circuit diagram



DATASHEET

Models	Solis-6300-MV
LV panel	
MCCB specification	250 A / 800 Vac / 3P, 14 × 2 pcs
ACB specification	3200 A / 800 Vac / 3P, 1 × 2 pcs
Connection form with transformer	Copper busbar
Transformer	
Transformer type	Oil immersed
Rated output power	6300 kVA @ 40°C
Max. output power	6930 kVA @ 40°C 3h
LV / MV voltage	0.8 kV / 10 - 35 kV
Max. input current	2577 A × 2
Tapping on HV	±2 × 2.5%
Vector group	Dy11y11
Frequency	50 Hz / 60 Hz
Cooling type	ONAN
Impedance	8% (± 10%)
Oil type	Mineral oil (Optional: plant oil)
Winding material	Al / Al (Optional: Cu / Cu)
Insulation class	A
Connection form with MV switchgear	Cable
MV Switchgear	
Type of insulate	SF6 (Optional: SF6-Free)
Rated voltage	12 - 40.5 kV
Rated current	630 A
Internal arcing fault	20 kA / 1 s
Qty of feeder	3 feeders
Protection	
LV surge protection	AC type I + II
AC input protection	Circuit breaker
Transformer protection	Oil-temperature, oil-level, oil-pressure
Fire protection	Smoke detection, emergency lighting
General Data	
Dimensions (W × H × D)	6058 × 2896 × 2438 mm
Approximate weight	21 T
Operating ambient temperature range	-25 ~ +60°C
Max. operation altitude	2000 m
Auxiliary power supply	5 kVA / 230 V (Optional: max. 50 kVA)
UPS	1 kVA 30 min (Optional: max. 2 kVA 2h)
Degree of protection	IP54
Anti-corrosion Class	C4-H (Optional: C5-M)
Allowable relative humidity range	0 - 95%
Communication	RS485, Ethernet, Optical fiber
Compliance	IEC 60076, IEC 62271, IEC61439