

MB-S4-W4

Solis Data Loggers

The MB-S4-W4 is designed for commercial and industrial (C&I) PV systems, enabling efficient data acquisition, protocol conversion, and power control. It helps maximise system performance through intelligent operation and maintenance.

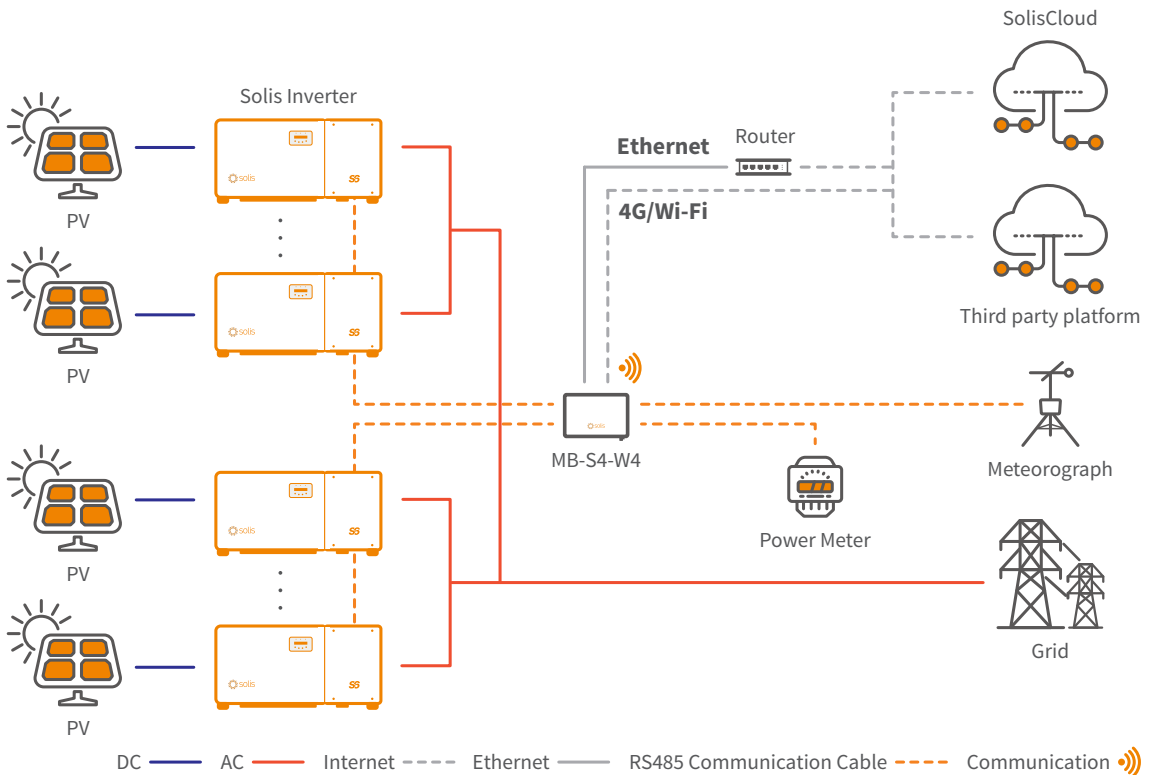
Features:

- Monitors up to 80 PV inverters
- Supports remote upgrade and maintenance
- Compatible with various export power limitation scenarios
- Enables multi-master plant data transfer
- Built-in web server for monitoring and configuration, no app required
- One-click address allocation for fast commissioning
- Automatic dual power source switching



MB-S4-W4

Intelligent Monitoring Solution - MB-S4-W4



DATASHEET

Models	MB-S4-W4
Communication	
Max. manageable device	80, Each RS485 port ≤ 20
Status indicator	LED × 4
WEB	Embedded Web
RS485	COM × 4, communication distance ≤ 1000 m
Ethernet communication	LAN × 2, 10 / 100 Mbps adaptive, communication distance ≤ 100 m
Wireless communication	Wi-Fi: 802.11 b/g/n (2.4G); 802.11a/n (5G); Cellular network: 4G / 3G / 2G
Digital / Analog	DI × 4, DO × 2, AI × 4
Communication Protocol	
RS485	Modbus-RTU
Ethernet	Modbus-TCP, IEC60870-5-104
Electrical	
Power Adapter	AC input: 100 ~ 240 V, 50 Hz / 60 Hz; DC output: 12 V, 4 A
DC input	input1: 12 V, 1 A; input2: 24 V, 0.8 A
Power consumption	≤ 12 W
Environment	
Operating temperature range	-40 ~ +60°C
Storage temperature range	-40 ~ +70°C
Relative humidity	5% - 95% (Non-condensing)
Max. operating altitude	4000 m
Mechanical	
Dimensions (W × H × D)	225 × 156 × 44 mm
Weight	1.25 kg
Ingress protection	IP20
Installation method	Wall mount or desktop installation
Others	
Certification	CE, RoHS

Models of Meter and Meteorograph supported by MB-S4-W4

Type	Vendor	Model	Connection method	Export Limitation
Meter	Acrel	ADL3000-E-B	RS485	Supported
	Acrel	DTSD1352		Supported
	CHINT	DTSU666		-
	EASTRON	SDM630MCT		-
	Janitza	UMG96RM		-
Meteorograph	Ginlong	PC-4GF	-	
	Jinzhou Sunshine	PC-4GF	-	

Note:

- The newly matched device models will be continuously updated to the above table.
- If you need to match a new weather meter or electricity meter device, please contact our customer service center and provide materials such as the device's user manual, specification sheet, and communication protocol.