

## MB-S4-W4

# Solis Data Loggers

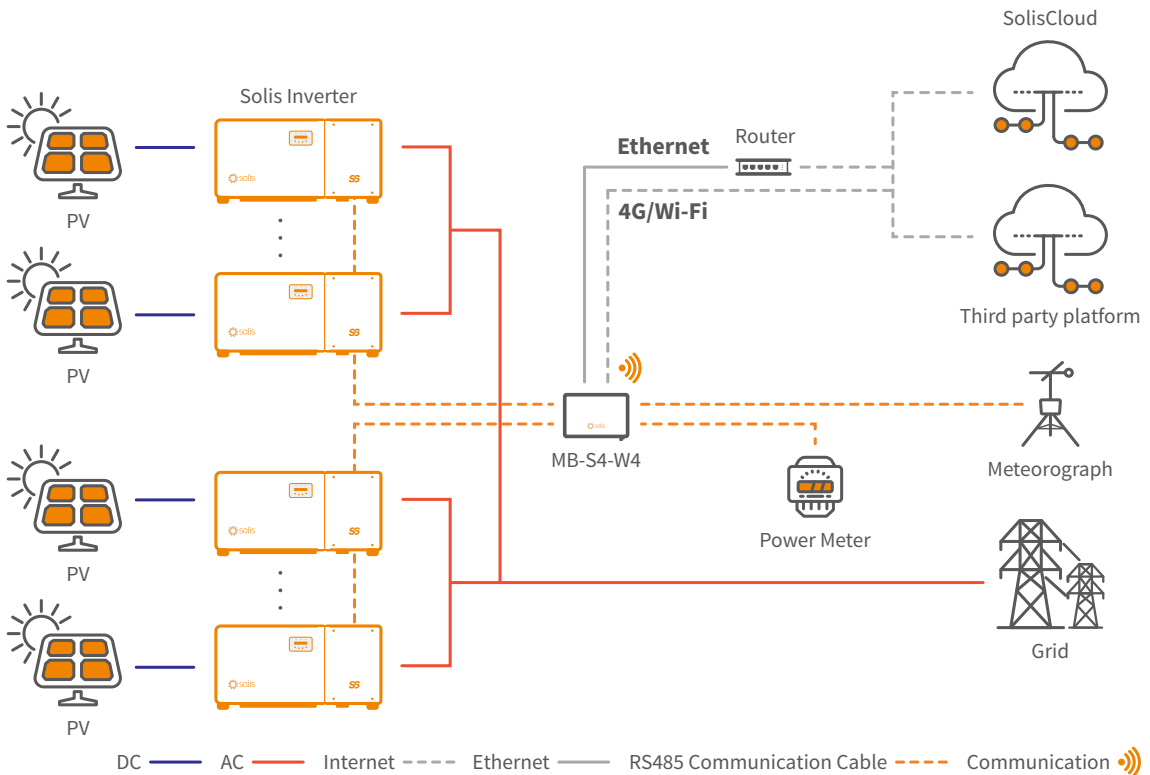
The MB-S4-W4 is designed for commercial and industrial (C&I) PV systems, enabling efficient data acquisition, protocol conversion, and power control. It helps maximise system performance through intelligent operation and maintenance.

- Monitors up to 80 PV inverters
- Supports remote upgrade and maintenance
- Compatible with various export power limitation scenarios
- Enables multi-master plant data transfer
- Built-in web server for monitoring and configuration, no app required
- One-click address allocation for fast commissioning
- Automatic dual power source switching



MB-S4-W4

### Intelligent Monitoring Solution - MB-S4-W4



## DATASHEET

| Models                        | MB-S4-W4  |
|-------------------------------|---|
| <b>Communication</b>          |   |
| Max. manageable device        | 80, Each RS485 port ≤ 20  |
| Status indicator              | LED × 4   |
| WEB                           | Embedded Web  |
| RS485                         | COM × 4, communication distance ≤ 1000 m  |
| Ethernet communication        | LAN × 2, 10 / 100 Mbps adaptive, communication distance ≤ 100 m                             |
| Wireless communication        | <b>Wi-Fi:</b> 802.11 b/g/n (2.4G); 802.11a/n (5G);<br><b>Cellular network:</b> 4G / 3G / 2G |
| Digital / Analog              | DI × 4, DO × 2, AI × 4  |
| <b>Communication Protocol</b> |   |
| RS485                         | Modbus-RTU  |
| Ethernet                      | Modbus-TCP, IEC60870-5-104  |
| <b>Electrical</b>             |   |
| Power Adapter                 | AC input: 100 ~ 240 V, 50 Hz / 60 Hz; DC output: 12 V, 4 A                                  |
| DC input                      | input1: 12 V, 1 A; input2: 24 V, 0.8 A  |
| Power consumption             | ≤ 12 W  |
| <b>Environment</b>            |   |
| Operating temperature range   | -40 ~ +60°C   |
| Storage temperature range     | -40 ~ +70°C   |
| Relative humidity             | 5% - 95% (Non-condensing)   |
| Max. operating altitude       | 4000 m  |
| <b>Mechanical</b>             |   |
| Dimensions (W × H × D)        | 225 × 156 × 44 mm   |
| Weight                        | 1.25 kg   |
| Ingress protection            | IP20  |
| Installation method           | Wall mount or desktop installation  |
| <b>Others</b>                 |   |
| Certification                 | CE, RoHS  |

## Models of Meter and Meteorograph supported by MB-S4-W4

| Type         | Vendor           | Model       | Connection method | Export Limitation |
|--------------|------------------|-------------|-------------------|-------------------|
| Meter        | Acrel            | ADL3000-E-B | RS485             | Supported         |
|              | Acrel            | DTSD1352    |                   | Supported         |
|              | CHINT            | DTSU666     |                   | -                 |
|              | EASTRON          | SDM630MCT   |                   | -                 |
|              | Janitza          | UMG96RM     |                   | -                 |
| Meteorograph | Ginlong          | PC-4GF      | -                 |                   |
|              | Jinzhou Sunshine | PC-4GF      | -                 |                   |

**Note:**

- The newly matched device models will be continuously updated to the above table.
- If you need to match a new weather meter or electricity meter device, please contact our customer service center and provide materials such as the device's user manual, specification sheet, and communication protocol.