

S2-PLC-CCO

Solis PLC Central Controller

S2-PLC-CCO (CCO: Central Controller) is applied in PV systems to achieve power line communication. Power Line Communication is transmission of data over the AC Wires of the system.

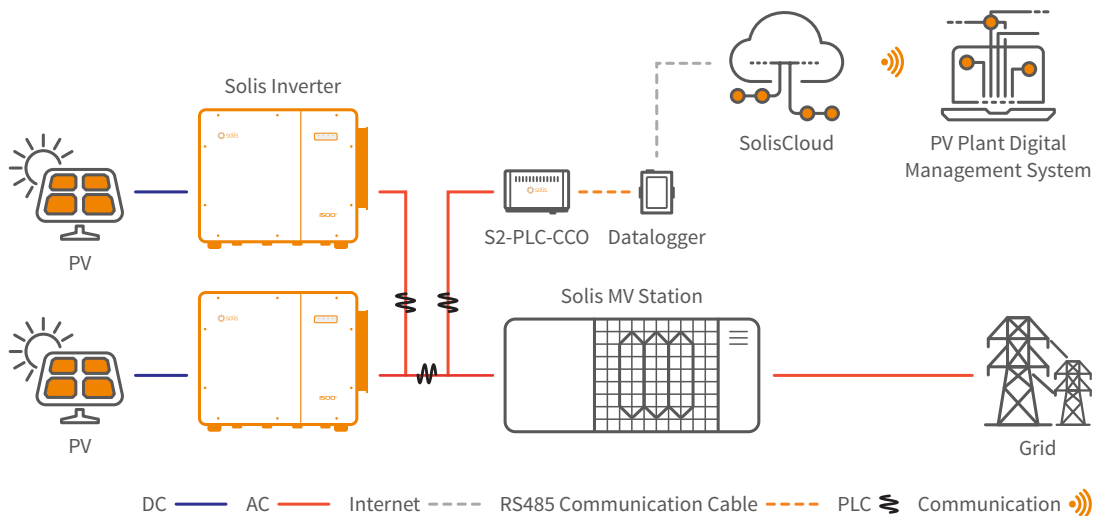
Features:

- No need to lay communication cables, reducing construction costs and maintenance costs
- Strong anti-interference ability
- Support multi-terminal networking
- Stable network connection, real-time data transmission



S2-PLC-CCO

Intelligent Monitoring Solution - S2-PLC-CCO



DATASHEET

S2-PLC-CCO

Models	S2-PLC-CCO
Communication	
Supported device type	Solis inverter
Number of connected inverters	≤ 80
Status indicator	4 LED Indicator Lights
Frequency band	2 - 12 MHz
Communication interface	4pin / RJ45 / RS485
Debugging interface	Bluetooth
Baud rate	9600 / 19200 / 57600 / 115200
Electrical	
Input voltage (Power adapter)	12 VDC
Max. input current (Power adapter)	2 A
AC port input line voltage	50 - 920 V, 50 Hz / 60 Hz
Operating power consumption	< 5 W
Environment	
Operating ambient temperature range	-40 ~ +70°C
Operating humidity	5% - 95%, Relative humidity, non-condensing
Storage temperature	-45 ~ +90°C
Storage humidity	5% - 95%, Relative humidity, non-condensing
Max. operation altitude	4000 m
Protection degree	IP 20
Mechanical	
Dimensions (L*W*H)	255 × 165 × 45 mm
Installation method	Hanging ear mounting, rail mounting
Weight	750 g