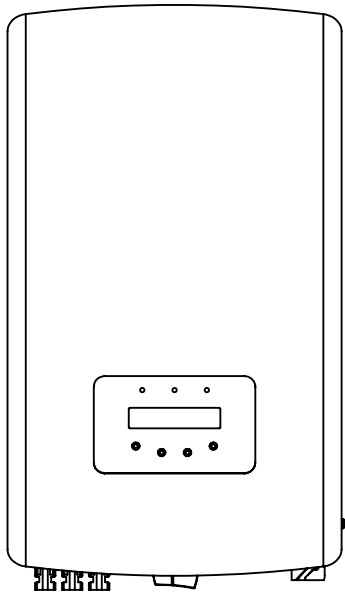




Quick Installation Guide

Version 1.0

S6-GR1P(7-8)K2



Ginlong Technologies Co., Ltd.

Note: Installation Manual Download

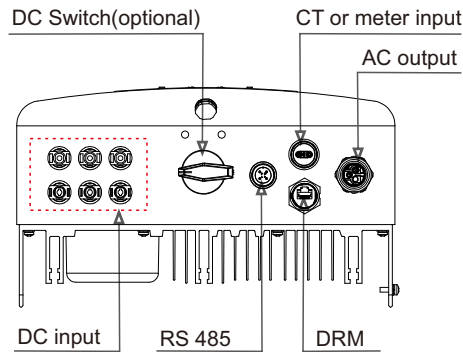
For access to the manual please scan the QR code below or you can go the URL <https://www.ginlong.com/global/service.html>



After entering the page, you can click "🌐" icon to change to preferred language.

1 Bottom of the Inverter

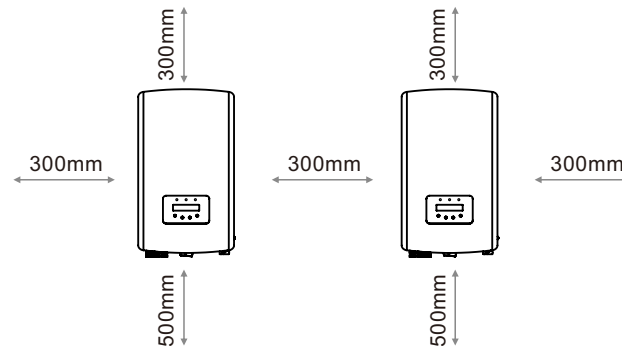
Some models may have a different number of DC inputs, please refer to datasheet/nameplate/actual product.



If no PV string connects to the DC input terminals, please install the watertight cap onto the empty DC input terminals to guarantee the inverter ingress protection rating.

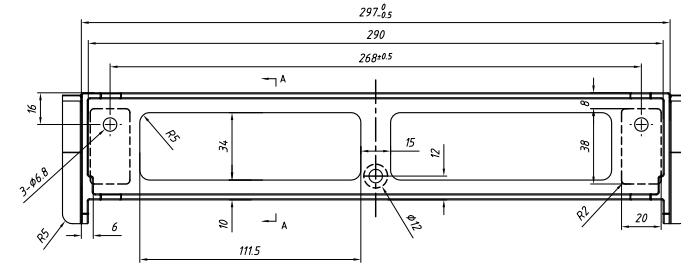
2 Installation Clearance

Minimum clearance is required.



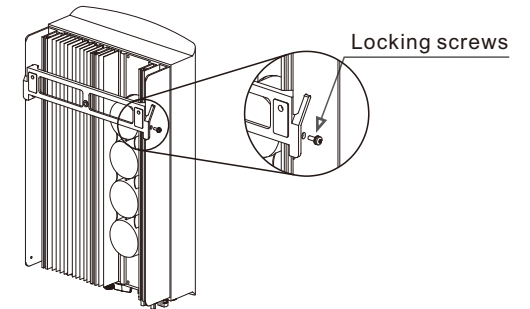
3 Mounting Hole Size

Use a 10mm drill bit to drill a hole of 60mm depth.



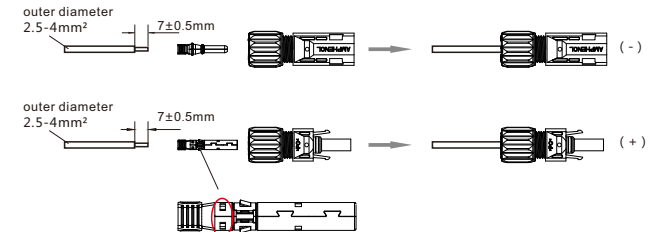
4 Inverter Installation

Ensure the mounting bracket is horizontal and use a Phillips screwdriver to fasten the expansion bolts. Lift the inverter and hang it on the bracket.



5 DC Connector Wiring and Assemble

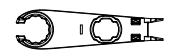
Use a wire crimper to fasten the metal connector and insert it into the top of the AMPHENOL connector. Use the AMPHENOL special tool to fasten the AMPHENOL assembly.



Note: Locator wings should not be crimped



Crimping plier

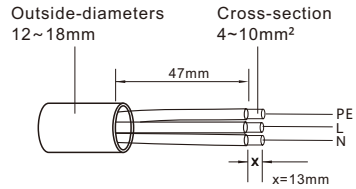


AMPHENOL special tool

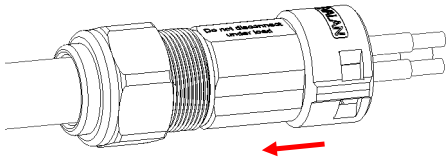
6 Assemble the AC Cable

The steps to assemble the AC grid terminal connectors are listed as follows:

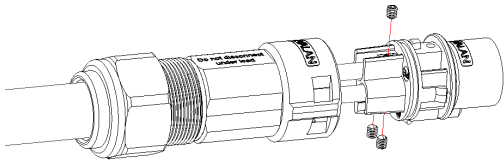
a) Disassemble the AC connector and strip the AC wires to about 13mm.



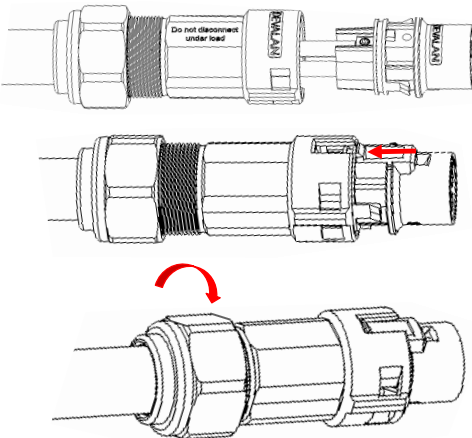
b) Flee the sleeve into the cable.



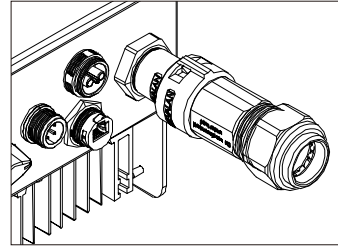
c) Put the copper wire of the cable splitter into the plug terminal and tighten the screw.



d) Insert the sleeves assembly into the plug then lock it with a buckle, tighten the lock nut and the torque is 3.5-4N.m.



Connect the AC grid connector to the inverter, until hearing a slight click sound that indicates the connection succeed.



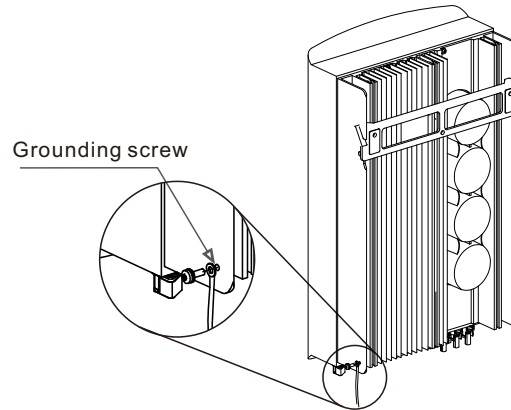
Note: Connection for Split phase grid.

When connected to 208/220/240V split phase, please connect L1 to "L" terminal and L2 to "N" terminal.

Also connect earth wire to ground terminal.

7 External Ground Connection

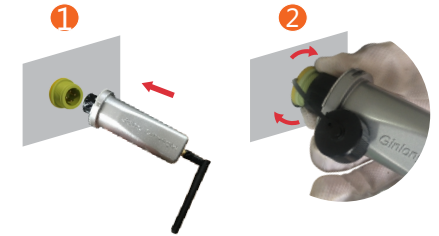
An external ground connection is provided at the right side of the inverter. Prepare OT terminals: M4. Use proper tooling to crimp the lug to the terminal.



8 Install the Datalogger

Note: Turn off the AC and DC circuits before the installation

1. Insert communication stick to COM port.
2. Rotate the black circle clockwise while pushing the datalogger. (do not rotate the datalogger housing directly)



9 Commissioning

1. Switch on the AC breaker.
2. Switch on the DC switch (If there is no DC switch, wait until the string voltage is higher than the start up voltage of the inverter).

When the string voltage is higher than the startup voltage the inverter will initialize.

3. Inverter will start self check and the green LED will flash.
4. After the self check is completed, the inverter will start generating power and the green LED will become constantly on and the LCD will displays "Generating".

10 Completion

You have finished the initial installation.

You may use the Soliscloud APP to link the datalogger to your local router. Please refer to the datalogger installation manual for the detailed configuration.

11 Contact us

Ginlong Technologies Co., Ltd.

No. 57 Jintong Road, Binhai Industrial Park,
Xiangshan, Ningbo, Zhejiang, 315712, P.R.China.

Tel: +86 (0)574 6578 1806

Fax: +86 (0)574 6578 1606

Email: info@ginlong.com

Web: www.solisinverters.com