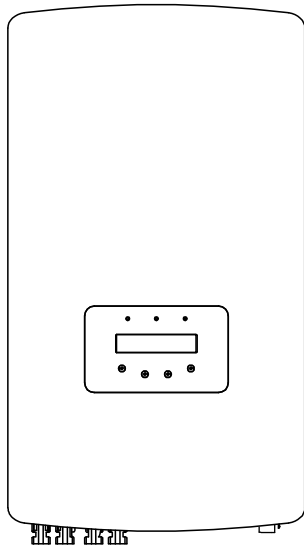




Quick Installation Guide (For India) Version 1.0 S5-GR3P(3-13)K



Ginlong Technologies Co., Ltd.

Note: Installation Manual Download

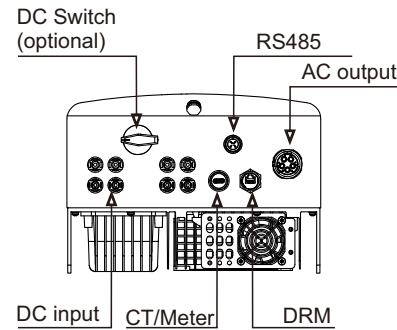
For access to the manual please scan the QR code below or you can go the URL <https://www.ginlong.com/global/service.html>



After entering the page, you can click "🌐" icon to change to preferred language.

1 Bottom of the Inverter

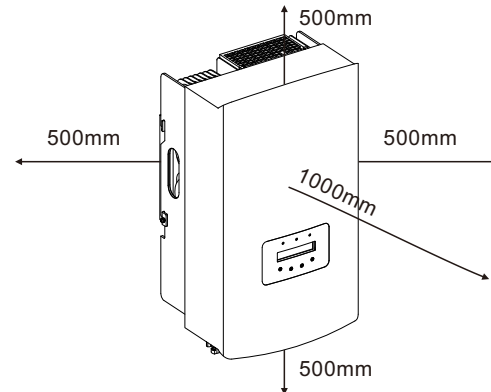
Some models may have a different number of DC inputs, please refer to datasheet/nameplate/actual product.



If no PV string connects to the DC input terminals, please install the watertight cap onto the empty DC input terminals to guarantee the inverter ingress protection rating.

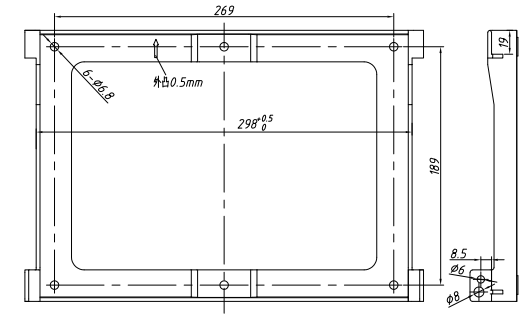
2 Installation Clearance

Minimum clearance is required.



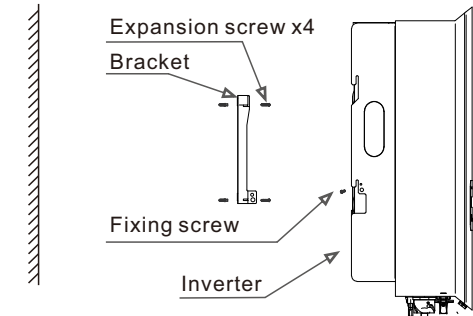
3 Mounting Hole Size

Use a 10mm drill bit to drill a hole of 60mm depth.



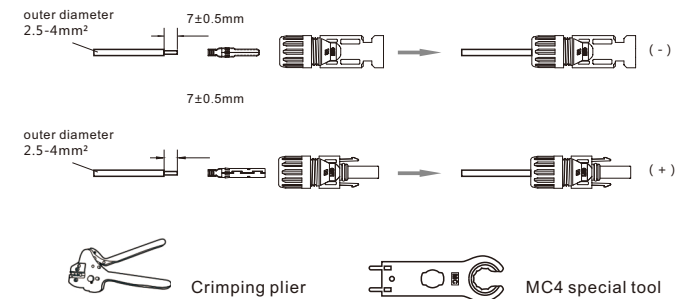
4 Inverter Installation

Ensure the mounting bracket is horizontal and use a Phillips screwdriver to fasten the expansion bolts. Lift the inverter and hang it on the bracket.



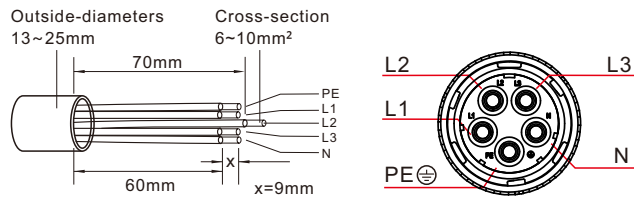
5 DC Connector Wiring and Assemble

Use a wire crimper to fasten the metal connector and insert it into the top of the MC4 connector. Use the MC4 special tool to fasten the MC4 assembly.

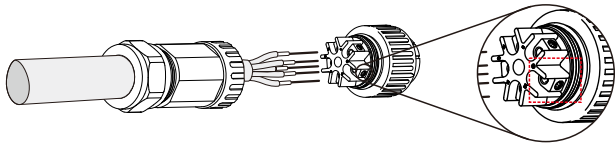


6 Assemble the AC Cable

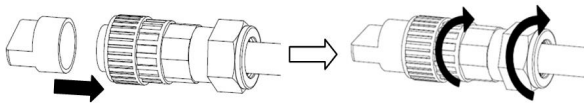
Strip the insulation sleeve of the cable to 70mm so that the copper-cored connectors may have about 9mm length.



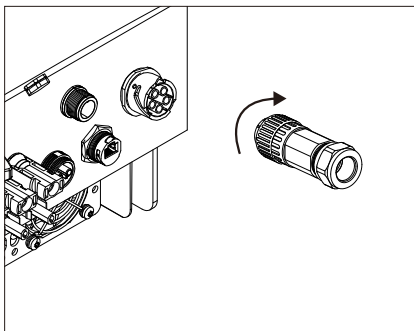
Lead the cables through the nut and sleeve, insert corresponding terminals and tighten with a Allen wrench. The Torque value is 1.8-2.0N.m.



Clip the plastic fixture in the socket element and tighten the adapter. Then tighten the swivel nut with 3-4N.m torque.

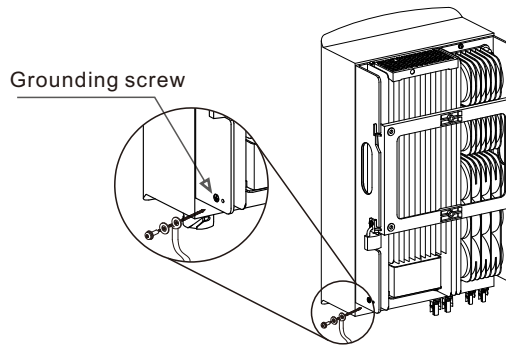


Connect AC connector with inverter, until hearing a slight clicking sound indicates connection succeed.



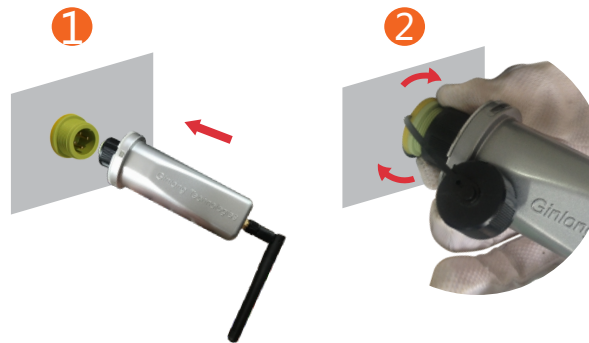
7 External Ground Connection

An external ground connection is provided at the right side of the inverter. Prepare OT terminals: M4. Use proper tooling to crimp the lug to the terminal.



8 Install the Datalogger

- Note: Turn off the AC and DC circuits before the installation**
1. Insert communication stick to COM port.
 2. Rotate the black circle clockwise while pushing the datalogger. (do not rotate the datalogger housing directly)



9 Commissioning

1. Switch on the AC breaker.
2. Switch on the DC switch (If there is no DC switch, wait until the string voltage is higher than the start up voltage of the inverter).
When the string voltage is higher than the startup voltage the inverter will initialize.
3. Inverter will start self check and the green LED will flash.
4. After the self check is completed, the inverter will start generating power and the green LED will become constantly on and the LCD will displays "Generating".

10 Completion

You have finished the initial installation.

You may use the Soliscloud APP to link the datalogger to your local router. Please refer to the datalogger installation manual for the detailed configuration.

11 Contact us

Ginlong Technologies Co., Ltd.
No. 188 Jinkai Road, Binhai Industrial Park,
Xiangshan, Ningbo, Zhejiang, 315712, P.R.China.
Tel: +86 (0)574 6578 1806
Fax: +86 (0)574 6578 1606
Email: info@ginlong.com
Web: www.solisinverters.com