

Solis-6300-MV

Solis MV Station

For 1500 V string inverter Solis 255K and 350K

Integrated delivery

- Mainstream 6.3MW subarray, widely used globally
- 20 foot standard container delivery, easy to transport

Convenient installation

- A complete solution, from inverter to main step-up transformer
- When the container is lifted to the foundation, only LV and MV cables need to be connected

Reliable products

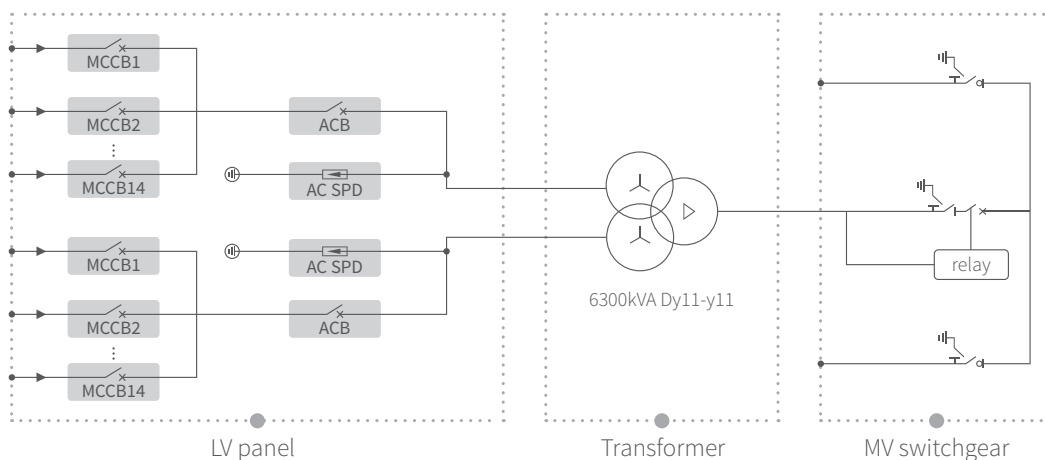
- LV panel, transformer and RMU to be placed independently
- Adopt international first-line brand equipment with reliable quality

Easy O&M

- Full frontal maintenance design
- Modular design of MV equipment, easy to replace



● Circuit diagram



DATASHEET

Solis-6300-MV

| Models | Solis-6300-MV |
|-------------------------------------|--|
| LV panel | |
| MCCB specification | 250 A / 800 Vac / 3P, 14*2 pcs |
| ACB specification | 3200 A / 800 Vac / 3P, 1*2 pcs |
| Connection form with transformer | Copper busbar |
| Transformer | |
| Transformer type | Oil immersed |
| Rated output power | 6300 kVA @ 40°C |
| Max. output power | 6930 kVA @ 40°C 3h |
| LV/MV voltage | 0.8 kV / 10-35 kV |
| Max. input current | 2577 A *2 |
| Tapping on HV | ±2*2.5% |
| Vector group | Dy11y11 |
| Frequency | 50 Hz / 60 Hz |
| Cooling type | ONAN |
| Impedance | 7% |
| Oil type | Mineral oil (Optional: plant oil) |
| Winding material | Al/Al (Optional: Cu/Cu) |
| Insulation class | A |
| Connection form with MV switchgear | Cable |
| MV Switchgear | |
| Type of insulate | SF6 |
| Rated voltage | 12-36 kV |
| Rated current | 630 A |
| Internal arcing fault | 20 kA / 1 s |
| Qty of feeder | 3 feeders |
| Protection | |
| LV surge protection | AC type I+II |
| AC input protection | Circuit breaker |
| Transformer protection | Oil-temperature, oil-level, oil-pressure |
| Fire protection | Smoke detection, emergency lighting |
| General Data | |
| Dimensions (W*H*D) | 6058*2896*2438 mm |
| Approximate weight | 24 T |
| Operating ambient temperature range | -25 ~ +60°C |
| Max. operation altitude | 1000 m (standard) |
| Auxiliary power supply | 5 kVA / 230 V (Optional: max. 40 kVA) |
| UPS | 1 kVA 30 min (Optional: max. 2 kVA 2h) |
| Degree of protection | IP54 |
| Allowable relative humidity range | 0-95% |
| Communication | RS485, Ethernet, Optical fiber |
| Compliance | IEC 60076, IEC 62271, IEC61439 |